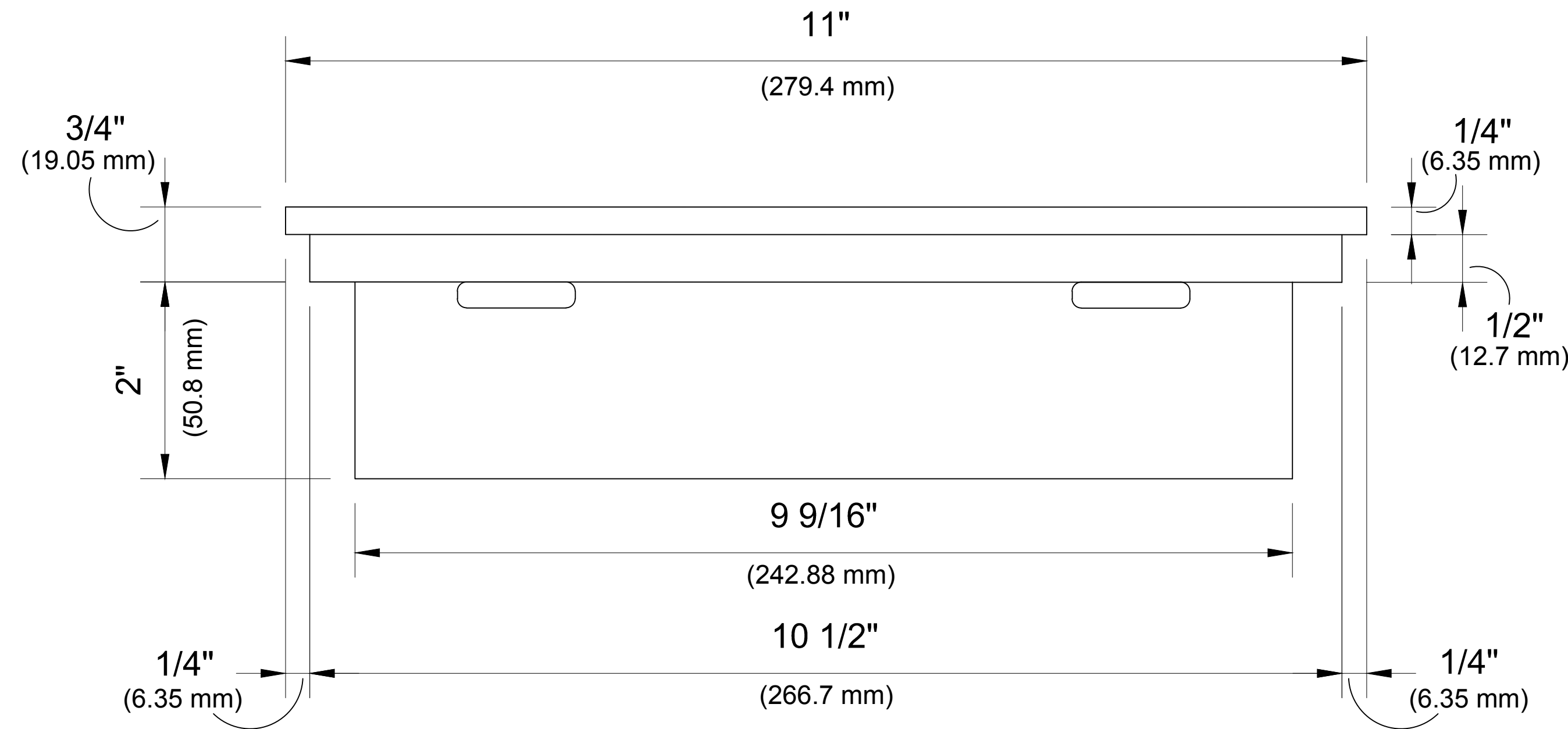


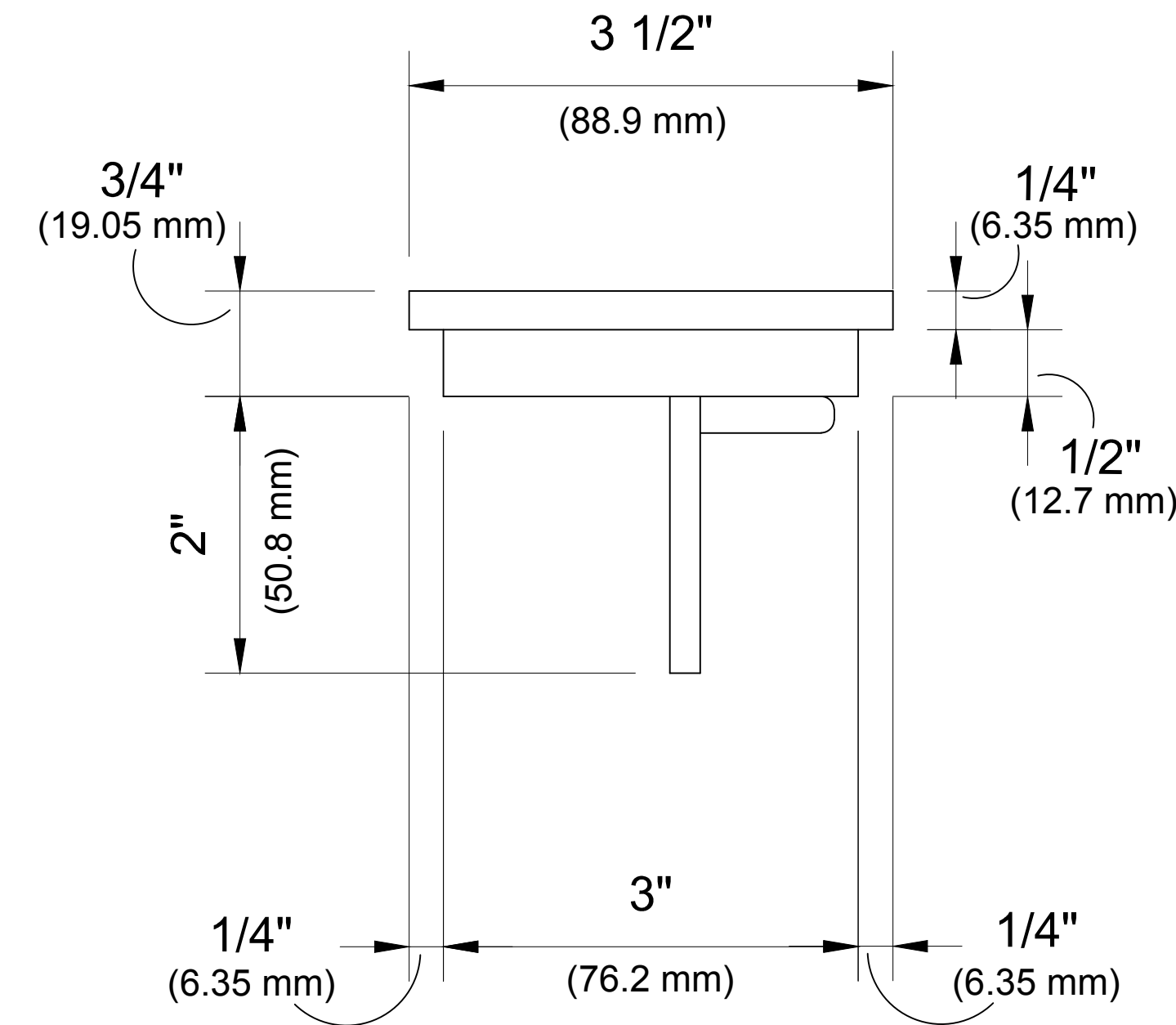
COUNTERTOP RECESSED KNIFE BLOCK KB-04-C-WA

AMERICAN BLACK WALNUT

SIDE VIEW OF THE MAGNET



END VIEW OF THE MAGNET



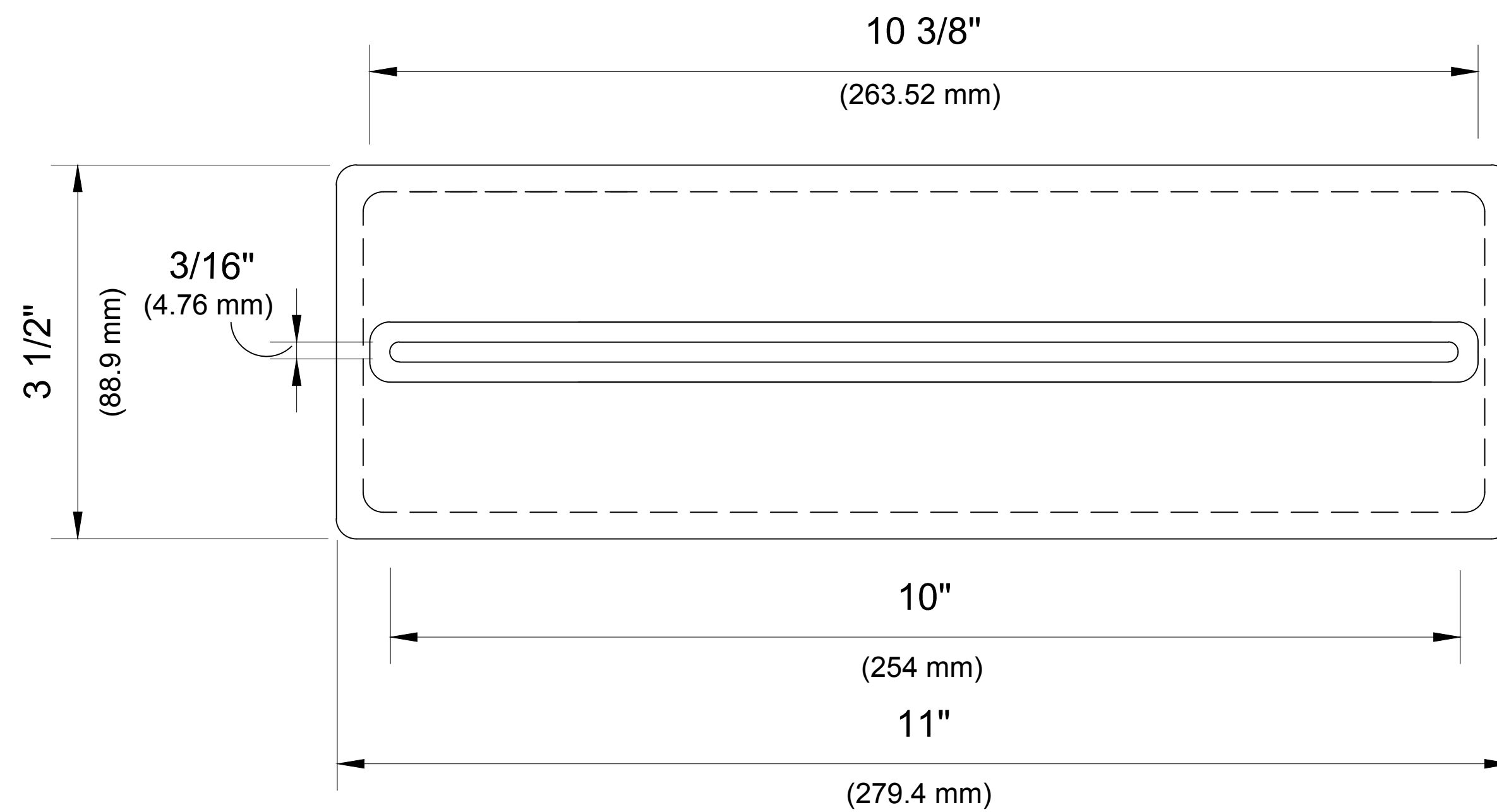
STANDARD INSTALLATION

10 5/8" (269.87 mm) X 3 1/8" (79.37 mm)
ROUGH OPENING REQUIRED ON TOP

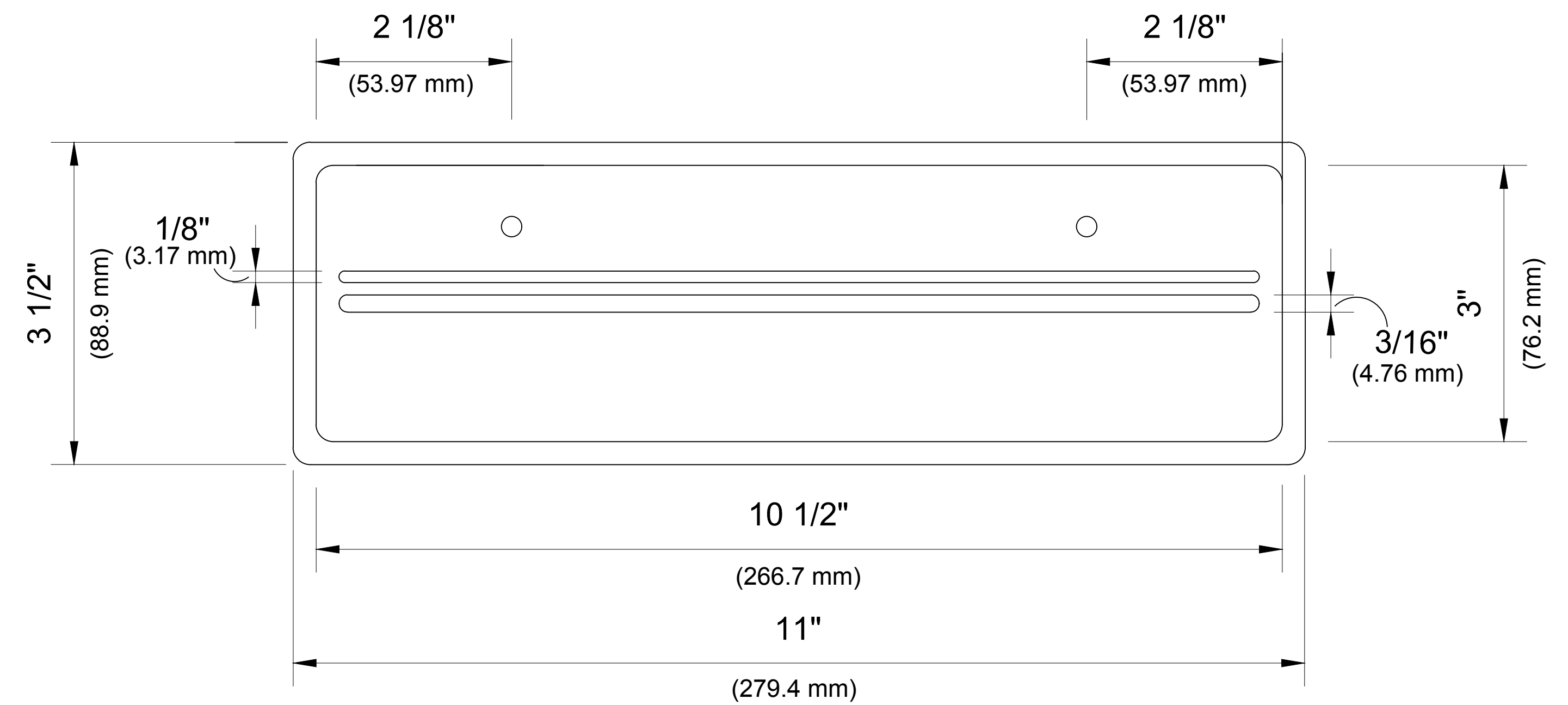
FLUSH COUNTER INSTALLATION

11 1/16" (280.98 mm) X 3 9/16" (90.48 mm)
with a 3/16" (4.76 mm) Radius
POLISHED OPENING REQUIRED ON TOP

TOP DOWN VIEW



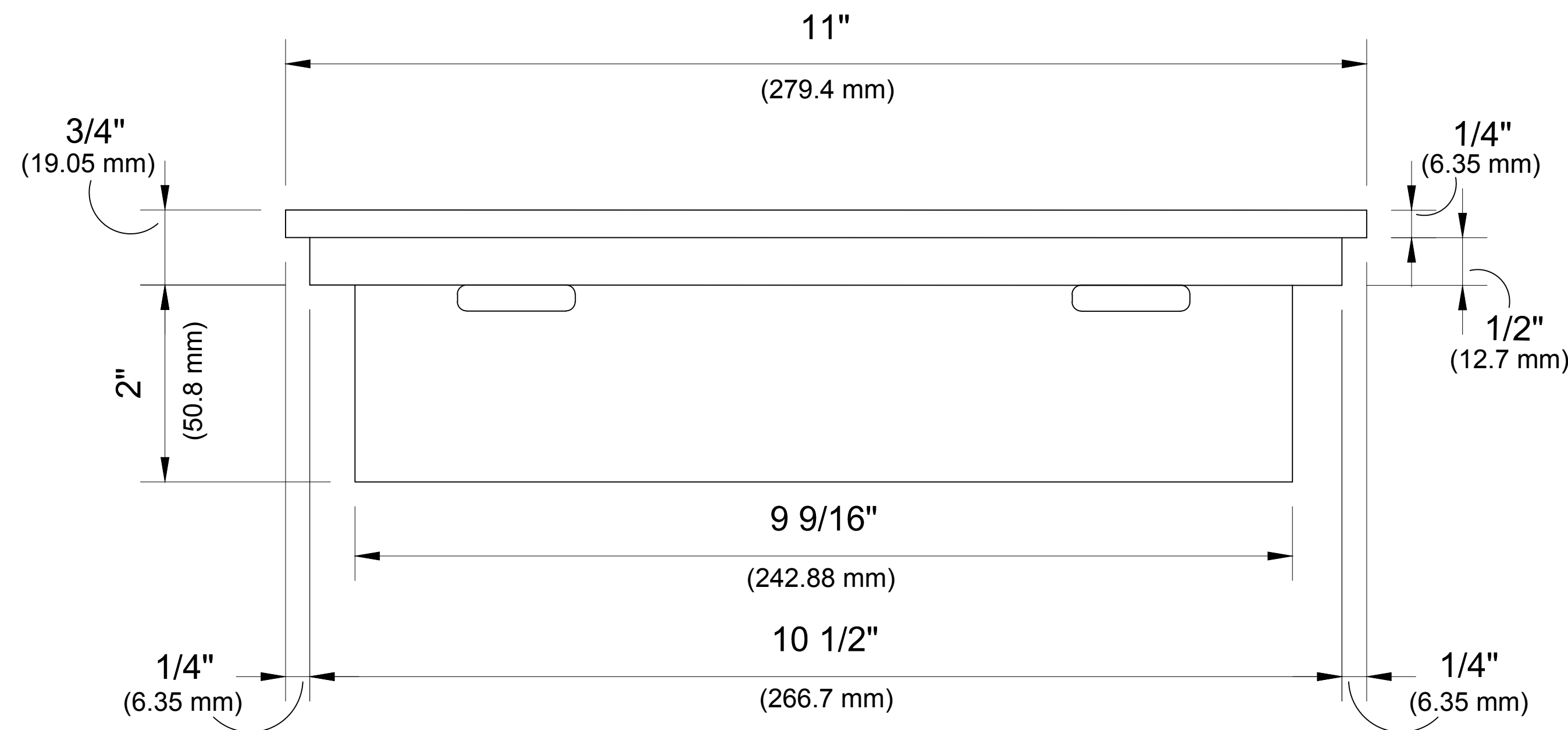
UNDERSIDE VIEW



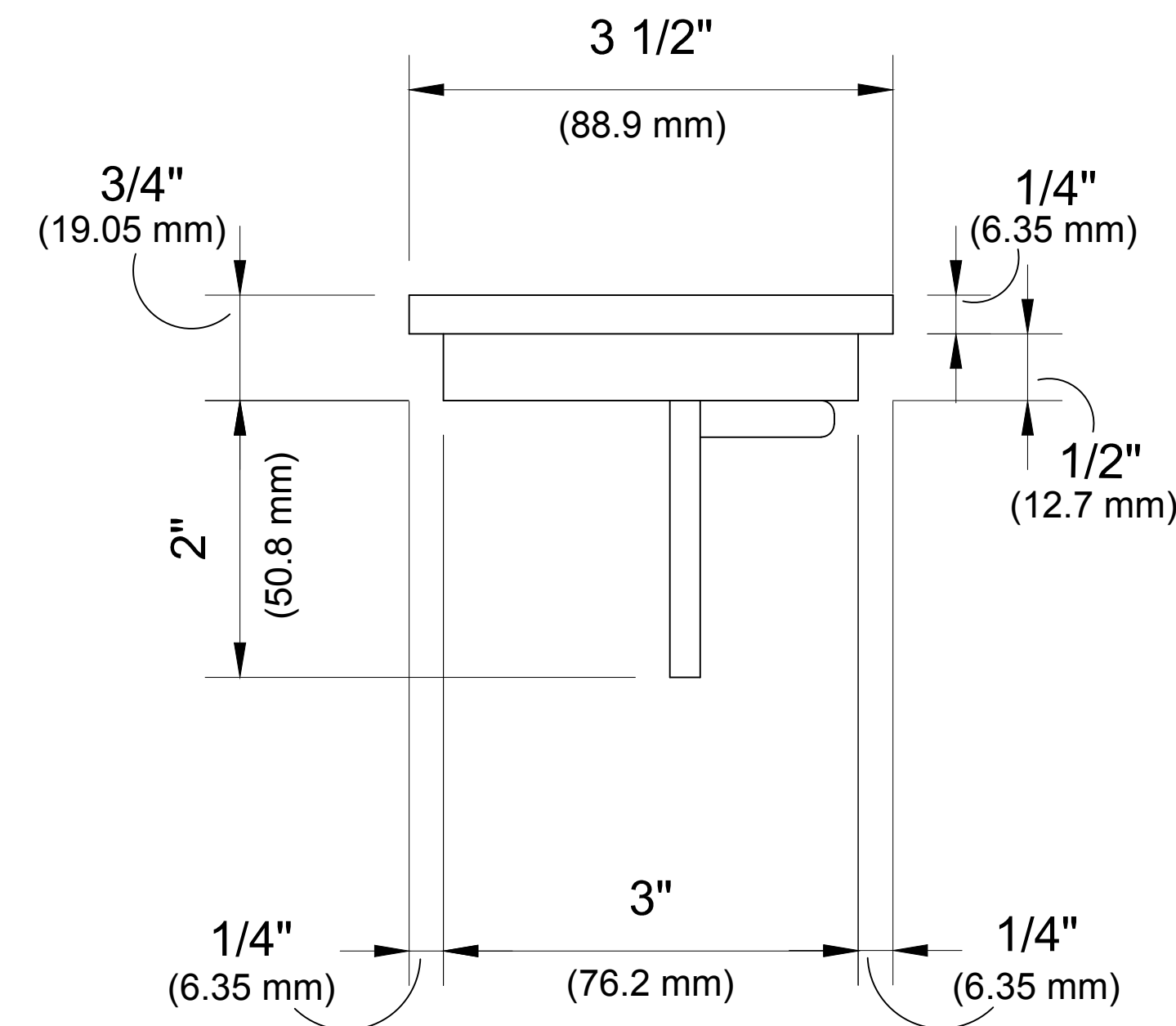
COUNTERTOP RECESSED KNIFE BLOCK KB-04-C-BA

NATURAL GOLDEN BAMBOO

SIDE VIEW OF THE MAGNET



END VIEW OF THE MAGNET



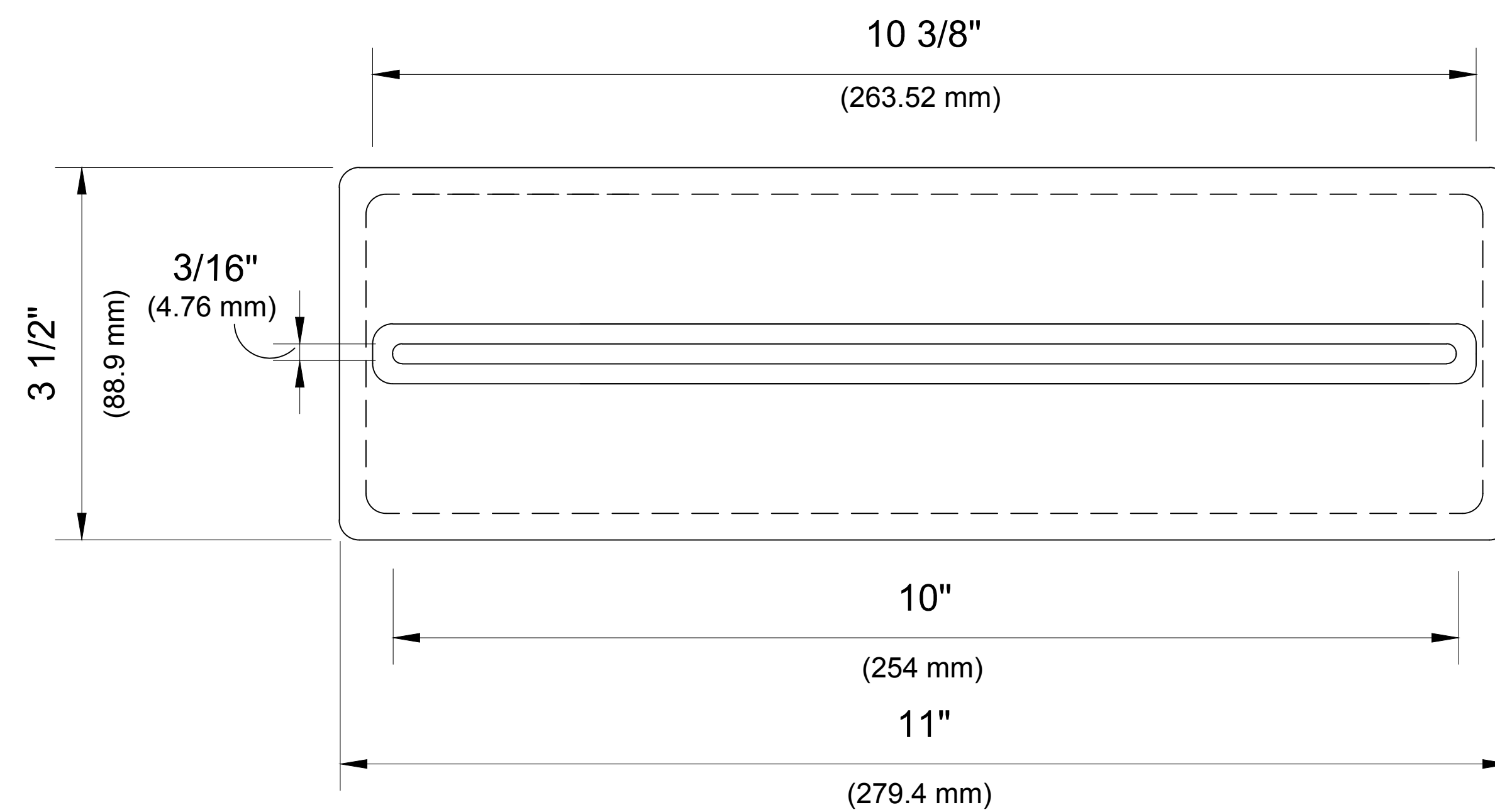
STANDARD INSTALLATION

10 5/8" (269.87 mm) X 3 1/8" (79.37 mm)
ROUGH OPENING REQUIRED ON TOP

FLUSH COUNTER INSTALLATION

11 1/16" (280.98 mm) X 3 9/16" (90.48 mm)
with a 3/16" (4.76 mm) Radius
POLISHED OPENING REQUIRED ON TOP

TOP DOWN VIEW



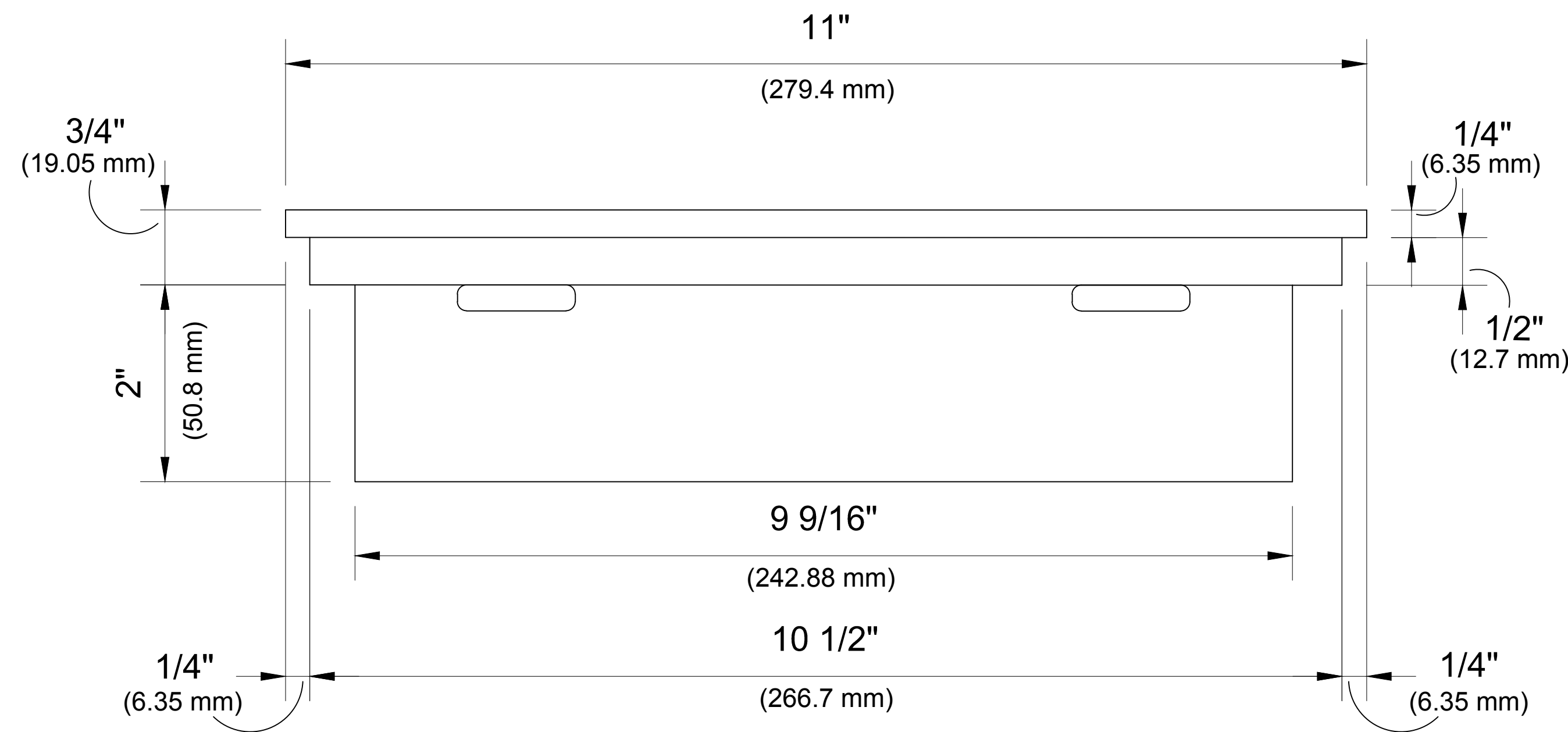
UNDERSIDE VIEW



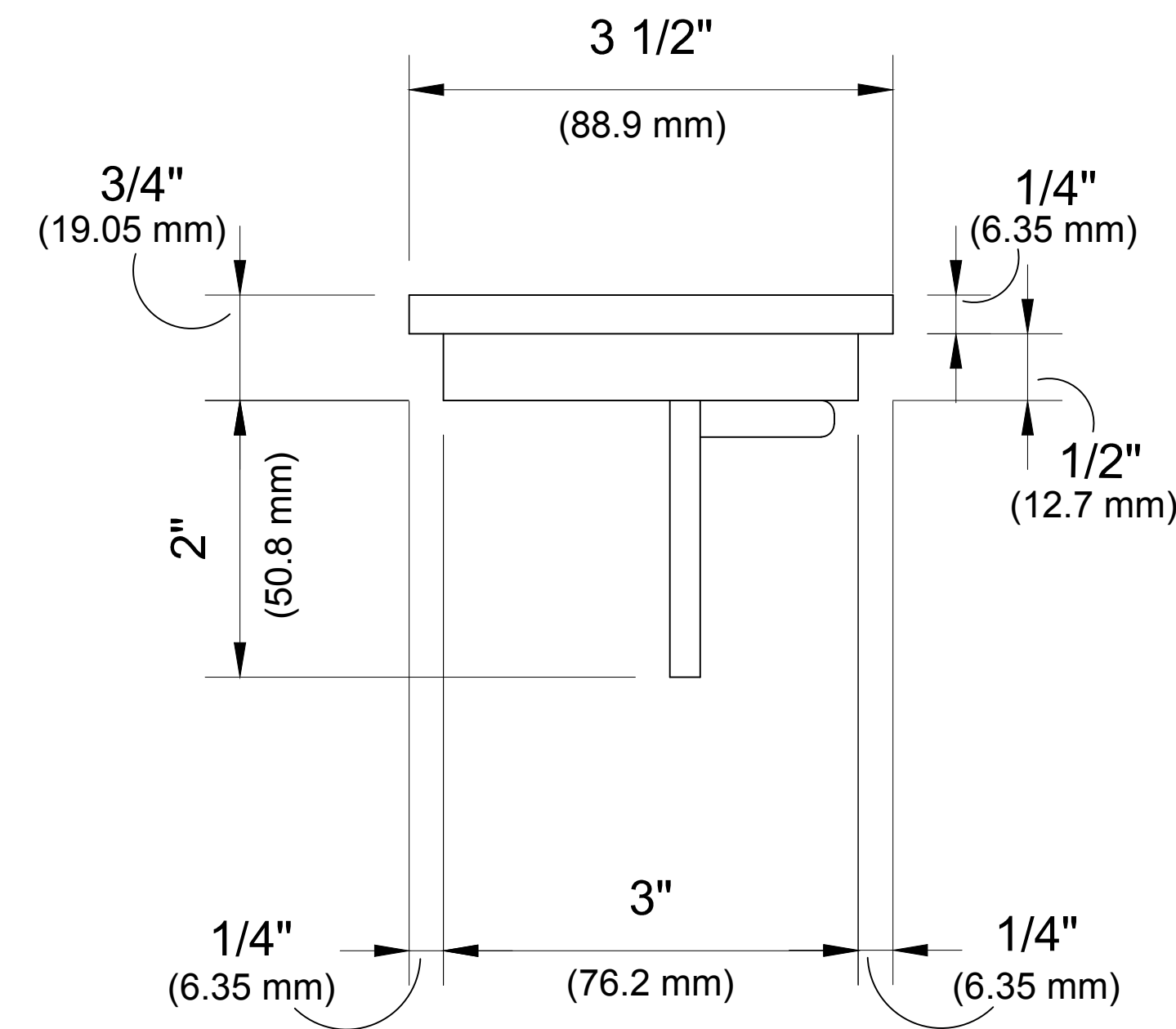
COUNTERTOP RECESSED KNIFE BLOCK KB-04-C-GT

GRAPHITE WOOD COMPOSITE

SIDE VIEW OF THE MAGNET



END VIEW OF THE MAGNET



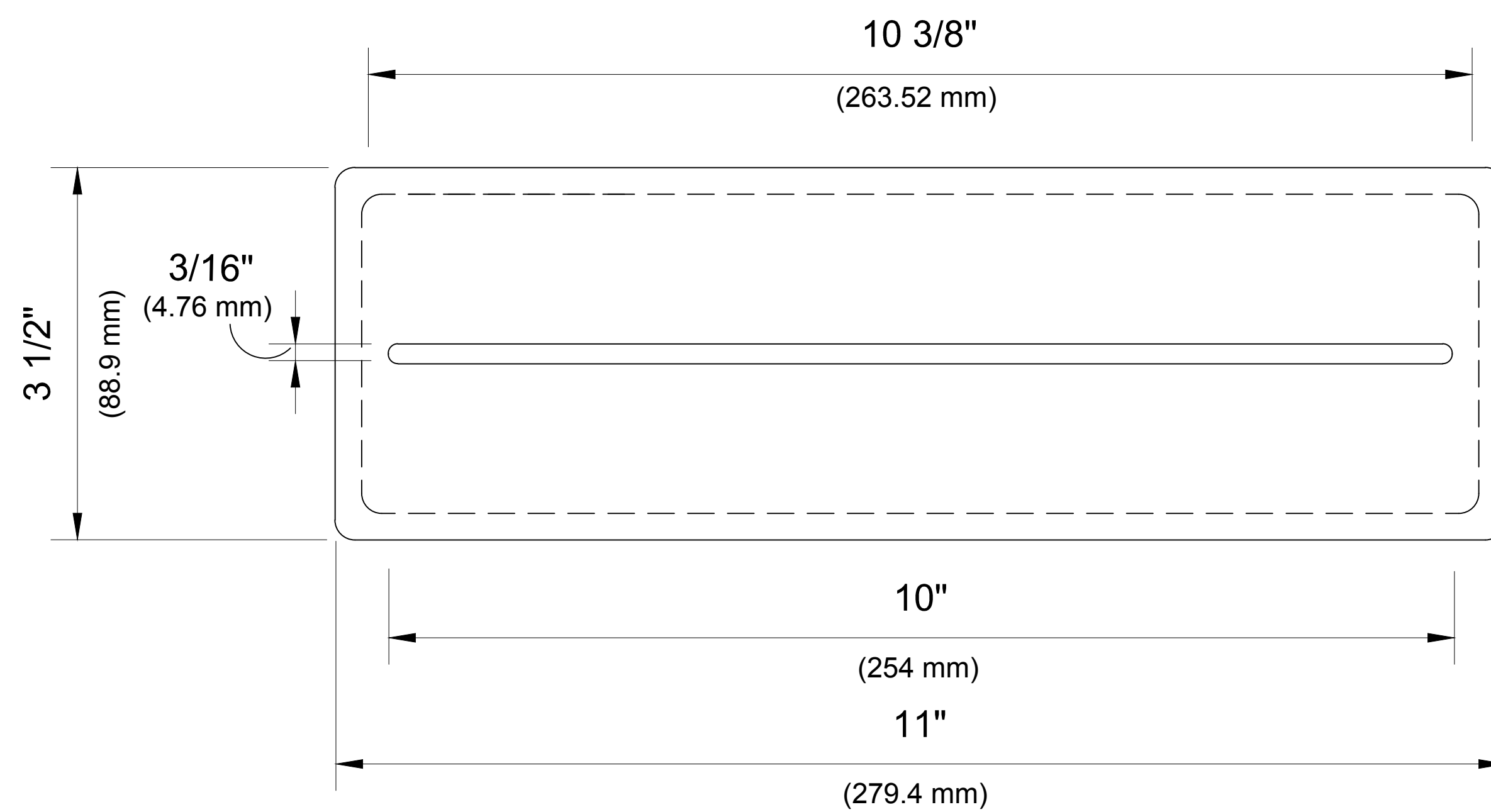
STANDARD INSTALLATION

10 5/8" (269.87 mm) X 3 1/8" (79.37 mm)
ROUGH OPENING REQUIRED ON TOP

FLUSH COUNTER INSTALLATION

11 1/16" (280.98 mm) X 3 9/16" (90.48 mm)
with a 3/16" (4.76 mm) Radius
POLISHED OPENING REQUIRED ON TOP

TOP DOWN VIEW



UNDERSIDE VIEW

